

# Paper Helicopter Investigation

My team members: \_\_\_\_\_

\_\_\_\_\_

The form of flying transport I would choose: \_\_\_\_\_

Our drop site: \_\_\_\_\_

How we ensure we always drop from the same height?

\_\_\_\_\_

\_\_\_\_\_

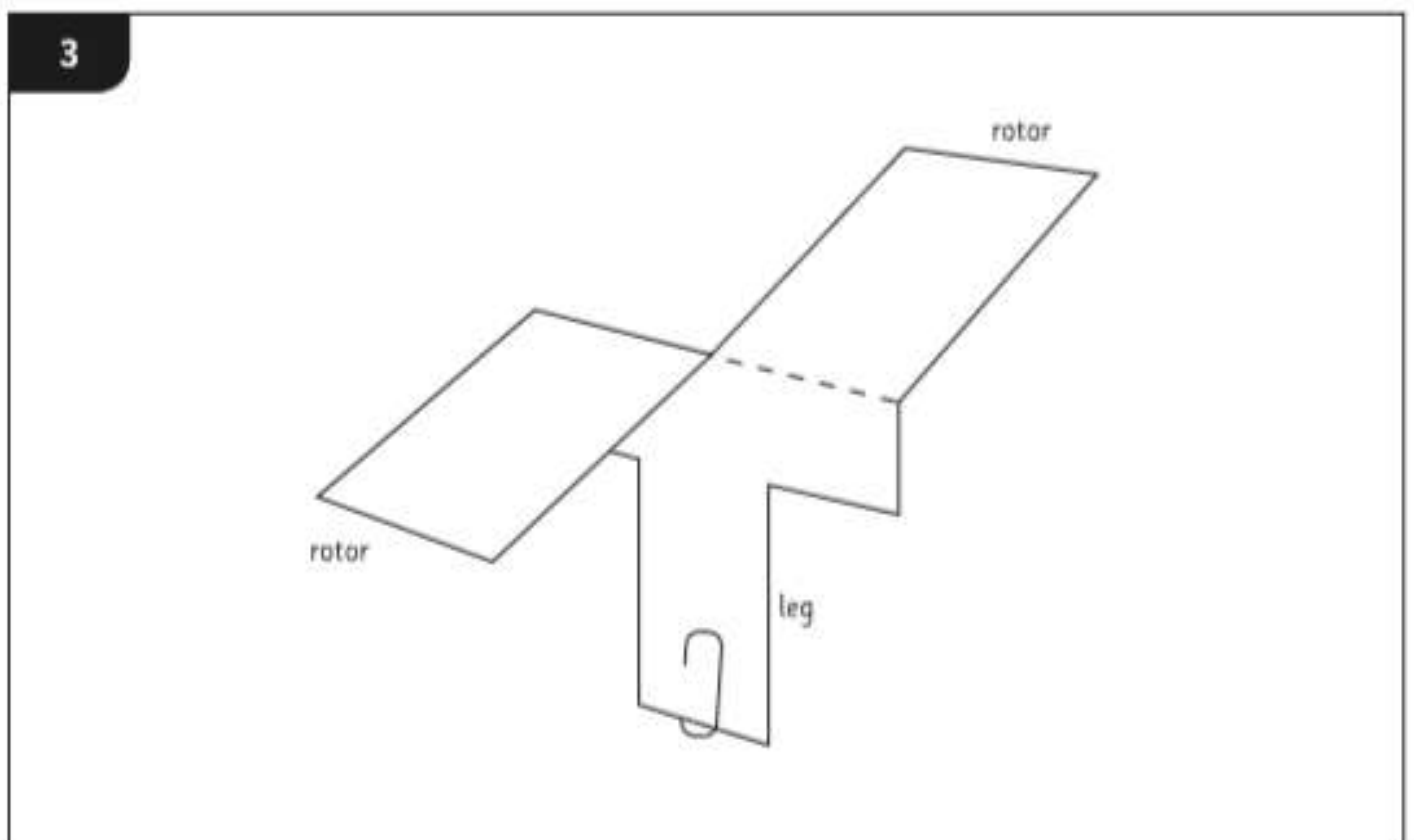
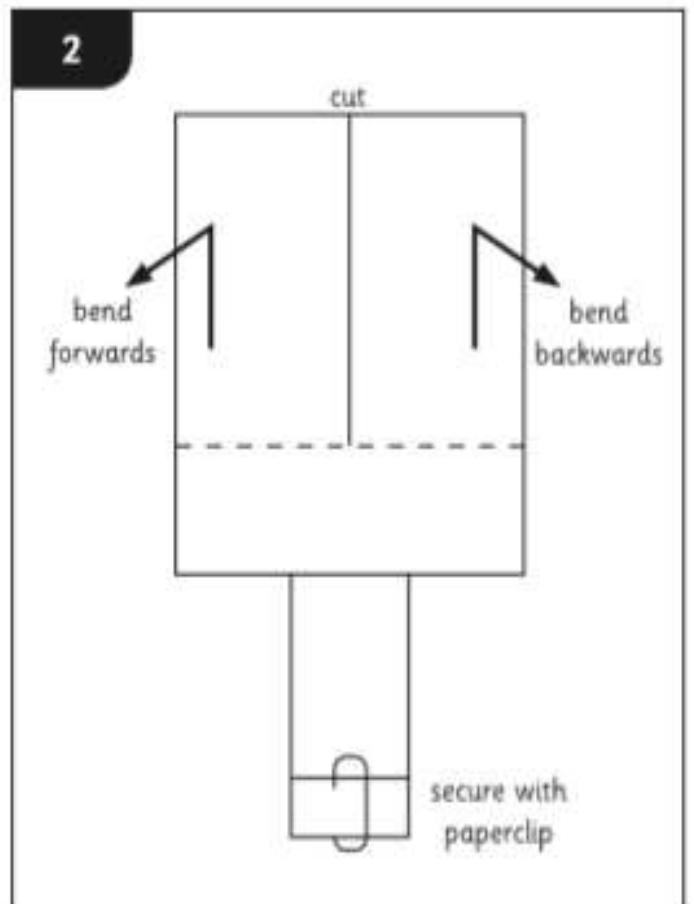
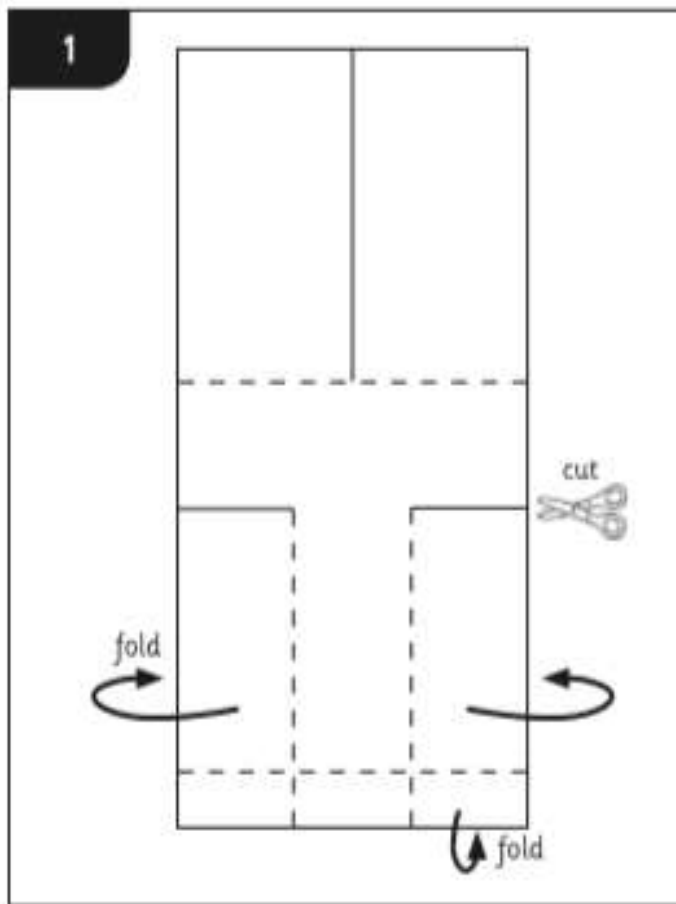
\_\_\_\_\_

	Time Taken to Drop	Observations
Scrunched up Piece of Paper		
Flat Piece of Paper		

First Helicopter Template	Clockwise or Anticlockwise?	Time Taken to Drop		

# Paper Helicopter Instructions

Cut along the solid lines and fold along the dashed lines.



## Paper Helicopter Template

